



手动对夹蝶阀 Hand wafer butterfly valve	
产品型号 Product model	D71X
产品规格 Product specification	DN40~200mm
公称压力 Nominal pressure	PN1.0~1.6MPa
适用介质 Suited medium	水、气、油品等 Water, gas, oil etc.
适用温度 Suited temperature	-15℃~120℃



LT型对夹蝶阀 LT type wafer butterfly valve	
产品型号 Product model	LTD71X
产品规格 Product specification	DN40~200mm
公称压力 Nominal pressure	PN1.0~1.6MPa
适用介质 Suited medium	水、气、油品等 Water, gas, oil etc.
适用温度 Suited temperature	-15℃~120℃



铜对夹蝶阀 Desulfurization butterfly valve	
产品型号 Product model	D71X
产品规格 Product specification	DN40~200mm
公称压力 Nominal pressure	PN1.0~1.6MPa
适用介质 Suited medium	水、气、油品等 Water, gas, oil etc.
适用温度 Suited temperature	-15℃~150℃



脱硫蝶阀 Desulfurization butterfly valve	
产品型号 Product model	TLD71X
产品规格 Product specification	DN40~200mm
公称压力 Nominal pressure	PN1.0~1.6MPa
适用介质 Suited medium	石灰石浆液、废水等 Limestone slurry, waste water, etc.
适用温度 Suited temperature	-15℃~150℃



蜗轮传动对夹式蝶阀 Worm actuated wafer butterfly valve	
产品型号 Product model	D371X/F
产品规格 Product specification	DN50~800mm
公称压力 Nominal pressure	PN1.0~1.6MPa
适用介质 Suited medium	耐酸、碱等 Acidproof, alkali etc.
适用温度 Suited temperature	15℃~150℃



不锈钢对夹式蝶阀 Stainless steel pair clip butterfly valve	
产品型号 Product model	D371X/F
产品规格 Product specification	DN40~1200mm
公称压力 Nominal pressure	PN1.0~1.6MPa
适用介质 Suited medium	水、气、油品等 Water, gas, oil etc.
适用温度 Suited temperature	-15℃~150℃



气动对夹式蝶阀 Pneumatic wafer butterfly valve	
产品型号 Product model	D671X
产品规格 Product specification	DN40~600mm
公称压力 Nominal pressure	PN1.0~2.5MPa
适用介质 Suited medium	水、气、油品等 Water, gas, oil etc.
适用温度 Suited temperature	-15℃~120℃



电动对夹式蝶阀 Electric wafer butterfly valve	
产品型号 Product model	D971X
产品规格 Product specification	DN40~1200mm
公称压力 Nominal pressure	PN1.0~1.6MPa
适用介质 Suited medium	水、气、油品等 Water, gas, oil etc.
适用温度 Suited temperature	-15℃~120℃



蜗轮沟槽蝶阀 Worm grooved butterfly valve	
产品型号 Product model	D381X
产品规格 Product specification	DN50~200mm
公称压力 Nominal pressure	PN1.0~1.6MPa
适用介质 Suited medium	水、污水 Water, sewage
适用温度 Suited temperature	-15℃~120℃



信号对夹蝶阀 Signal Wafer Butterfly Valve	
产品型号 Product model	XD371X
产品规格 Product specification	DN50~250mm
公称压力 Nominal pressure	PN1.0~1.6MPa
适用介质 Suited medium	水、气、油品等 Water, gas, oil etc.
适用温度 Suited temperature	-15℃~120℃

	<table border="1"> <thead> <tr> <th colspan="2">蜗轮法兰蝶阀 Worm flanged butterfly valve</th> </tr> </thead> <tbody> <tr> <td>产品型号 Product model</td> <td>D341X</td> </tr> <tr> <td>产品规格 Product specification</td> <td>DN50~2200mm</td> </tr> <tr> <td>公称压力 Nominal pressure</td> <td>PN1.0~1.6MPa</td> </tr> <tr> <td>适用介质 Suited medium</td> <td>水、气、油品等 Water, gas, oil etc.</td> </tr> <tr> <td>适用温度 Suited temperature</td> <td>-15℃~120℃</td> </tr> </tbody> </table>	蜗轮法兰蝶阀 Worm flanged butterfly valve		产品型号 Product model	D341X	产品规格 Product specification	DN50~2200mm	公称压力 Nominal pressure	PN1.0~1.6MPa	适用介质 Suited medium	水、气、油品等 Water, gas, oil etc.	适用温度 Suited temperature	-15℃~120℃		<table border="1"> <thead> <tr> <th colspan="2">法兰伸缩蝶阀 Flange stretch butterfly valve</th> </tr> </thead> <tbody> <tr> <td>产品型号 Product model</td> <td>SD341X</td> </tr> <tr> <td>产品规格 Product specification</td> <td>DN40~2200mm</td> </tr> <tr> <td>公称压力 Nominal pressure</td> <td>PN1.0~1.6MPa</td> </tr> <tr> <td>适用介质 Suited medium</td> <td>水、气、油品等 Water, gas, oil etc.</td> </tr> <tr> <td>适用温度 Suited temperature</td> <td>-15℃~120℃</td> </tr> </tbody> </table>	法兰伸缩蝶阀 Flange stretch butterfly valve		产品型号 Product model	SD341X	产品规格 Product specification	DN40~2200mm	公称压力 Nominal pressure	PN1.0~1.6MPa	适用介质 Suited medium	水、气、油品等 Water, gas, oil etc.	适用温度 Suited temperature	-15℃~120℃
蜗轮法兰蝶阀 Worm flanged butterfly valve																											
产品型号 Product model	D341X																										
产品规格 Product specification	DN50~2200mm																										
公称压力 Nominal pressure	PN1.0~1.6MPa																										
适用介质 Suited medium	水、气、油品等 Water, gas, oil etc.																										
适用温度 Suited temperature	-15℃~120℃																										
法兰伸缩蝶阀 Flange stretch butterfly valve																											
产品型号 Product model	SD341X																										
产品规格 Product specification	DN40~2200mm																										
公称压力 Nominal pressure	PN1.0~1.6MPa																										
适用介质 Suited medium	水、气、油品等 Water, gas, oil etc.																										
适用温度 Suited temperature	-15℃~120℃																										
	<table border="1"> <thead> <tr> <th colspan="2">不锈钢法兰蝶阀 Stainless steel flanged butterfly valve</th> </tr> </thead> <tbody> <tr> <td>产品型号 Product model</td> <td>D341X</td> </tr> <tr> <td>产品规格 Product specification</td> <td>DN50~2200mm</td> </tr> <tr> <td>公称压力 Nominal pressure</td> <td>PN1.0~1.6MPa</td> </tr> <tr> <td>适用介质 Suited medium</td> <td>水、气、油品等 Water, gas, oil etc.</td> </tr> <tr> <td>适用温度 Suited temperature</td> <td>-15℃~120℃</td> </tr> </tbody> </table>	不锈钢法兰蝶阀 Stainless steel flanged butterfly valve		产品型号 Product model	D341X	产品规格 Product specification	DN50~2200mm	公称压力 Nominal pressure	PN1.0~1.6MPa	适用介质 Suited medium	水、气、油品等 Water, gas, oil etc.	适用温度 Suited temperature	-15℃~120℃		<table border="1"> <thead> <tr> <th colspan="2">电动法兰蝶阀 Electric flanged butterfly valve</th> </tr> </thead> <tbody> <tr> <td>产品型号 Product model</td> <td>D941X</td> </tr> <tr> <td>产品规格 Product specification</td> <td>DN50~2200mm</td> </tr> <tr> <td>公称压力 Nominal pressure</td> <td>PN1.0~1.6MPa</td> </tr> <tr> <td>适用介质 Suited medium</td> <td>水、气、油品等 Water, gas, oil etc.</td> </tr> <tr> <td>适用温度 Suited temperature</td> <td>-15℃~120℃</td> </tr> </tbody> </table>	电动法兰蝶阀 Electric flanged butterfly valve		产品型号 Product model	D941X	产品规格 Product specification	DN50~2200mm	公称压力 Nominal pressure	PN1.0~1.6MPa	适用介质 Suited medium	水、气、油品等 Water, gas, oil etc.	适用温度 Suited temperature	-15℃~120℃
不锈钢法兰蝶阀 Stainless steel flanged butterfly valve																											
产品型号 Product model	D341X																										
产品规格 Product specification	DN50~2200mm																										
公称压力 Nominal pressure	PN1.0~1.6MPa																										
适用介质 Suited medium	水、气、油品等 Water, gas, oil etc.																										
适用温度 Suited temperature	-15℃~120℃																										
电动法兰蝶阀 Electric flanged butterfly valve																											
产品型号 Product model	D941X																										
产品规格 Product specification	DN50~2200mm																										
公称压力 Nominal pressure	PN1.0~1.6MPa																										
适用介质 Suited medium	水、气、油品等 Water, gas, oil etc.																										
适用温度 Suited temperature	-15℃~120℃																										
	<table border="1"> <thead> <tr> <th colspan="2">蜗轮防结露蝶阀 Worm against condensation butterfly valve</th> </tr> </thead> <tbody> <tr> <td>产品型号 Product model</td> <td>FD371X</td> </tr> <tr> <td>产品规格 Product specification</td> <td>DN40~300mm</td> </tr> <tr> <td>公称压力 Nominal pressure</td> <td>PN1.0~1.6MPa</td> </tr> <tr> <td>适用介质 Suited medium</td> <td>水、气、油品等 Water, gas, oil etc.</td> </tr> <tr> <td>适用温度 Suited temperature</td> <td>-15℃~120℃</td> </tr> </tbody> </table>	蜗轮防结露蝶阀 Worm against condensation butterfly valve		产品型号 Product model	FD371X	产品规格 Product specification	DN40~300mm	公称压力 Nominal pressure	PN1.0~1.6MPa	适用介质 Suited medium	水、气、油品等 Water, gas, oil etc.	适用温度 Suited temperature	-15℃~120℃		<table border="1"> <thead> <tr> <th colspan="2">对夹式蝶阀止回阀 Wafer butterfly check valve</th> </tr> </thead> <tbody> <tr> <td>产品型号 Product model</td> <td>H77X</td> </tr> <tr> <td>产品规格 Product specification</td> <td>DN50~700mm</td> </tr> <tr> <td>公称压力 Nominal pressure</td> <td>PN1.0~1.6MPa</td> </tr> <tr> <td>适用介质 Suited medium</td> <td>水、气、油品等 Water, gas, oil etc.</td> </tr> <tr> <td>适用温度 Suited temperature</td> <td>0~80℃</td> </tr> </tbody> </table>	对夹式蝶阀止回阀 Wafer butterfly check valve		产品型号 Product model	H77X	产品规格 Product specification	DN50~700mm	公称压力 Nominal pressure	PN1.0~1.6MPa	适用介质 Suited medium	水、气、油品等 Water, gas, oil etc.	适用温度 Suited temperature	0~80℃
蜗轮防结露蝶阀 Worm against condensation butterfly valve																											
产品型号 Product model	FD371X																										
产品规格 Product specification	DN40~300mm																										
公称压力 Nominal pressure	PN1.0~1.6MPa																										
适用介质 Suited medium	水、气、油品等 Water, gas, oil etc.																										
适用温度 Suited temperature	-15℃~120℃																										
对夹式蝶阀止回阀 Wafer butterfly check valve																											
产品型号 Product model	H77X																										
产品规格 Product specification	DN50~700mm																										
公称压力 Nominal pressure	PN1.0~1.6MPa																										
适用介质 Suited medium	水、气、油品等 Water, gas, oil etc.																										
适用温度 Suited temperature	0~80℃																										
	<table border="1"> <thead> <tr> <th colspan="2">软密封暗杆闸阀 Soft Sealed Dark Rod Gate Valve</th> </tr> </thead> <tbody> <tr> <td>产品型号 Product model</td> <td>Z45X</td> </tr> <tr> <td>产品规格 Product specification</td> <td>DN50~600mm</td> </tr> <tr> <td>公称压力 Nominal pressure</td> <td>PN1.0~2.5MPa</td> </tr> <tr> <td>适用介质 Suited medium</td> <td>水、饮用水、污水等 Water, drinking water, sewage etc.</td> </tr> <tr> <td>适用温度 Suited temperature</td> <td>-15℃~80℃</td> </tr> </tbody> </table>	软密封暗杆闸阀 Soft Sealed Dark Rod Gate Valve		产品型号 Product model	Z45X	产品规格 Product specification	DN50~600mm	公称压力 Nominal pressure	PN1.0~2.5MPa	适用介质 Suited medium	水、饮用水、污水等 Water, drinking water, sewage etc.	适用温度 Suited temperature	-15℃~80℃		<table border="1"> <thead> <tr> <th colspan="2">软密封地下闸阀 Soft-sealing underground pipe net gate valve</th> </tr> </thead> <tbody> <tr> <td>产品型号 Product model</td> <td>SZ45X</td> </tr> <tr> <td>产品规格 Product specification</td> <td>DN50~600mm</td> </tr> <tr> <td>公称压力 Nominal pressure</td> <td>PN1.0~2.5MPa</td> </tr> <tr> <td>适用介质 Suited medium</td> <td>水、饮用水、污水等 Water, drinking water, sewage etc.</td> </tr> <tr> <td>适用温度 Suited temperature</td> <td>-15℃~80℃</td> </tr> </tbody> </table>	软密封地下闸阀 Soft-sealing underground pipe net gate valve		产品型号 Product model	SZ45X	产品规格 Product specification	DN50~600mm	公称压力 Nominal pressure	PN1.0~2.5MPa	适用介质 Suited medium	水、饮用水、污水等 Water, drinking water, sewage etc.	适用温度 Suited temperature	-15℃~80℃
软密封暗杆闸阀 Soft Sealed Dark Rod Gate Valve																											
产品型号 Product model	Z45X																										
产品规格 Product specification	DN50~600mm																										
公称压力 Nominal pressure	PN1.0~2.5MPa																										
适用介质 Suited medium	水、饮用水、污水等 Water, drinking water, sewage etc.																										
适用温度 Suited temperature	-15℃~80℃																										
软密封地下闸阀 Soft-sealing underground pipe net gate valve																											
产品型号 Product model	SZ45X																										
产品规格 Product specification	DN50~600mm																										
公称压力 Nominal pressure	PN1.0~2.5MPa																										
适用介质 Suited medium	水、饮用水、污水等 Water, drinking water, sewage etc.																										
适用温度 Suited temperature	-15℃~80℃																										
	<table border="1"> <thead> <tr> <th colspan="2">Y型过滤器 Y filter</th> </tr> </thead> <tbody> <tr> <td>产品型号 Product model</td> <td>GL41H</td> </tr> <tr> <td>产品规格 Product specification</td> <td>DN15~500mm</td> </tr> <tr> <td>公称压力 Nominal pressure</td> <td>PN1.0~2.5MPa</td> </tr> <tr> <td>适用介质 Suited medium</td> <td>水、蒸汽、油品等 Water, steam, oil etc.</td> </tr> <tr> <td>适用温度 Suited temperature</td> <td>-10℃~120℃</td> </tr> </tbody> </table>	Y型过滤器 Y filter		产品型号 Product model	GL41H	产品规格 Product specification	DN15~500mm	公称压力 Nominal pressure	PN1.0~2.5MPa	适用介质 Suited medium	水、蒸汽、油品等 Water, steam, oil etc.	适用温度 Suited temperature	-10℃~120℃		<table border="1"> <thead> <tr> <th colspan="2">橡胶软接头 Soft rubber joints</th> </tr> </thead> <tbody> <tr> <td>产品型号 Product model</td> <td>JGD</td> </tr> <tr> <td>产品规格 Product specification</td> <td>DN25~800mm</td> </tr> <tr> <td>公称压力 Nominal pressure</td> <td>PN1.0~2.5MPa</td> </tr> <tr> <td>适用介质 Suited medium</td> <td>水、气、油品等 Water, gas, oil etc.</td> </tr> <tr> <td>适用温度 Suited temperature</td> <td>-10℃~80℃</td> </tr> </tbody> </table>	橡胶软接头 Soft rubber joints		产品型号 Product model	JGD	产品规格 Product specification	DN25~800mm	公称压力 Nominal pressure	PN1.0~2.5MPa	适用介质 Suited medium	水、气、油品等 Water, gas, oil etc.	适用温度 Suited temperature	-10℃~80℃
Y型过滤器 Y filter																											
产品型号 Product model	GL41H																										
产品规格 Product specification	DN15~500mm																										
公称压力 Nominal pressure	PN1.0~2.5MPa																										
适用介质 Suited medium	水、蒸汽、油品等 Water, steam, oil etc.																										
适用温度 Suited temperature	-10℃~120℃																										
橡胶软接头 Soft rubber joints																											
产品型号 Product model	JGD																										
产品规格 Product specification	DN25~800mm																										
公称压力 Nominal pressure	PN1.0~2.5MPa																										
适用介质 Suited medium	水、气、油品等 Water, gas, oil etc.																										
适用温度 Suited temperature	-10℃~80℃																										



### 特点 Features

- 1、小型轻便，容易拆装及维修，并可在任意位置安装。
  - 2、结构简单，紧凑，90°回转启闭迅速。
  - 3、操作扭矩小，省力轻巧。
  - 4、流量特性趋于直线，调节性能好。
  - 5、启闭试验次数多达数万次，寿命长。
  - 6、达到完全密封，气体试验泄漏为零。
  - 7、选择不同零部件材质，可适用多种介质。
1. Small in size and light in weight. Easy instllation and mintage. It can be mounted wherever needed.
  2. Siple and compact construction, quick 90 degrees on-off operation.
  3. Miniminzed operating torque, energy saving.
  4. Flow curve tending to straight line. Excellent regulation performance.
  5. Long service life. Standing the test of tens of thousands opening/closing operations.
  6. Bubbles-tight sealing with no leakage under the pressure test.
  7. Wide selection of materials, applicable for various mdeium.

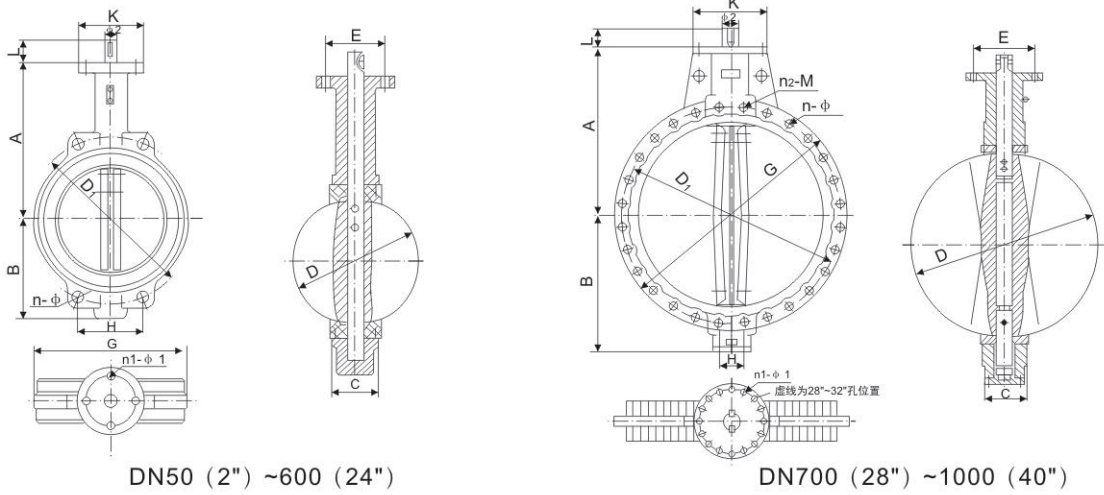


### 性能规范 Technical data

公称口径 DN(mm) Nominal diameter	50 (2") ~1000 (40")		
公称压力 PN(MPa) Nominal pressure	1.0	1.6	
试验压力 Testing pressure	壳体 Shell	1.5	2.4
	密封 Sealing	1.1	1.76
适用温度°C Working temperature	-15~+150		
适用介质 Suitable mediums	淡水、污水、海水、空气、蒸气、食品、药品、各种油类、酸类、碱类、盐类等 Fresh water,sewage, sea water, air, steam, food, medicine, oils, acids, etc.		

### 主要零部件材料 Material of main parts

阀体 Body		阀板 Disc		转轴 Stem	衬套 Bushing	阀座 Seat		适用温度°C Working temp
材料名称 Name	代号 Code	材料名称 Name	代号 Code	材料名称 Name	材料名称 Name	材料名称 Name	代号 Code	
灰铸铁 Cast iron	Z	电镀球墨 铸铁 Plated ductile iron	B1	不锈钢 Stainless steel	润滑青铜 Lubrized bronze	天然胶 NR	X1	-20~+85°C
球墨铸铁 Ductile iron	Q	铝青铜 Aluminum bronze	B2			海帕伦 Hypalon	X2	-23~+121°C
铝青铜 Aluminum bronze	T	ZG1Cr18Ni9Ti 不锈钢 Stainless steel	B3			乙丙橡胶 EPDM	X3	-23~+121°C
ZG1Cr13Ni9Ti 不锈钢 Stainless steel	P	钛钢 Titanium steel	B4			氯丁橡胶 Neoprene	X4	-7~+93°C
CF8M不锈钢 Stainless steel	R	CF8M不锈钢 Stainless steel	B5			丁腈橡胶 NBR	X5	-23~+100°C
碳钢 Carbon steel	C	碳钢 Carbon steel	B6	碳钢 Carbon steel	聚四氟乙烯 PTFE	耐磨橡胶 Wear-resistant rubber	X6	-10~+100°C
		CF8不锈钢 Stainless steel	B7			氟橡胶 VITON	X7	-23~+200°C
						耐热乙丙橡胶 Heat-resistant rubber	X9	-23~+135°C
						聚四氟乙烯 PTFE	F4	+10~+150°C



"A"型蝶阀主要尺寸表和重量 Main dimensions and weight of type "A" butterfly valve

DN		A	B	C	D	L	H	D1	n-φ	K	E	n1-φ1	φ2	G	n2-M	重量 Weight (kg)
mm	inch															
50	2"	161	80	42	52.9	32	84.84	120	4-φ23	77	57.15	4-φ6.7	12.6	118	-	2.5
65	2 1/2"	175	89	44.7	64.5	32	96.2	136.2	4-φ26.5	77	57.15	4-φ6.7	12.6	137	-	3.2
80	3"	181	95	45.2	78.8	32	61.23	160	8-φ18	77	57.15	4-φ6.7	12.6	143	-	3.6
100	4"	200	114	52.1	104	32	70.80	185	4-φ24.5	92	69.85	4-φ10.3	15.77	156	-	4.9
125	5"	213	127	54.4	123.3	32	82.28	215	4-φ23	92	69.85	4-φ10.3	18.92	190	-	7
150	6"	226	139	55.8	155.6	32	91.08	238	4-φ25	92	69.85	4-φ10.3	18.92	212	-	7.8
200	8"	260	175	60.6	202.5	45	112.89 76.35	295	4-φ25 4-φ23	115	88.9	4-φ14.3	22.1	268	-	13.2
250	10"	292	203	65.6	250.5	45	92.40	357	4-φ29	115	88.9	4-φ14.3	28.45	325	-	19.2
300	12"	337	242	76.9	301.6	45	105.34	407	4-φ29	140	107.95	4-φ14.3	31.6	403	-	32.5
350	14"	368	267	76.5	333.3	45	91.11	467	4-φ30	140	107.95	4-φ14.3	31.6	436	-	41.3
400	16"	400	309	86.5	389.6	51.2 72	100.47 102.42	515 525	4-φ26 4-φ30	197	158.75	4-φ20.6	33.15	488	-	61
450	18"	422	328	105.6	440.51	51.2 72	88.39 91.51	565 585	4-φ26 4-φ30	197	158.75	4-φ20.6	38	539	-	79
500	20"	480	361	131.8	491.6	64.2 82	96.99 101.68	620 650	4-φ26 4-φ33	197	158.75	4-φ20.6	41.15	593	-	128
600	24"	562	459	152	592.5	70.2 82	113.42 120.46	725 770	20-φ30 20-φ36	276	215.9	4-φ22.2	50.65	816	-	188
700	28"	624	520	163	695	66 82	109.65	840	24-φ30 20-φ36	300	254	8-φ18	55 63.35	895	4-M33	284
800	32"	672	591	188	794.7	66 82	124	950	24-φ33 24-φ39	300	254	8-φ18	55 63.35	1015	-	368
900	36"	720	656	203	864.7	118	117.57	1050	24-φ33	300	254	8-φ18	75	1115	4-M30	713
1000	40"	800	721	216	965	142	129.89	1160	24-φ36	300	254	8-φ18	85	1230	4-M33	864

注Note:

DN50 (2") ~800 (32") "A" 型蝶阀分别适用于PN1.0/PN1.6MPa二种压力级, 表中每格有两个尺寸的分别表示PN1.0/PN1.6MPa二种压力级连接尺寸。与阀门连接的管法兰连接尺寸参照法兰连接尺寸表。蝶阀上法兰可通用于手动、蜗轮蜗杆传动、电动、气动等。

表中DN50 (2") ~500 (20") 中D1和n-φ尺寸为蝶阀本身安装定位尺寸, 其中DN50(2")~350(14")的D1和n-φ尺寸包容GB9112-88, DIN 2501(德国), BS4504(英国), ISO2084, ISO2531(国际标准), BS10-E(英国), ANSI11259(美国)等法兰连接标准。DN400 (16") ~ 500(20") 包容GB9112-88, DIN2501, ISO2084, BS4504法兰连接标准。

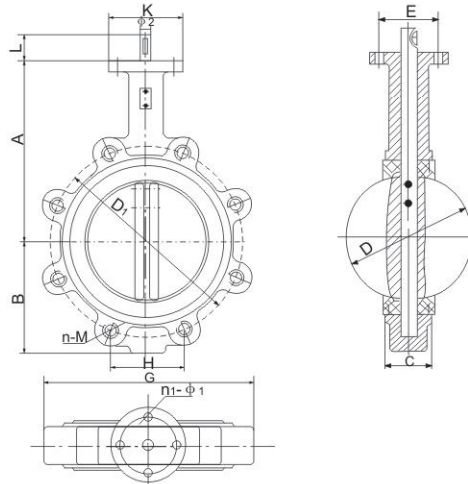
DN50 (2") ~ 800 (32") Type "A" butterfly valves are suitable for the pressure of PN1.0MPa and PN1.6MPa grade separately. Two dimensions in one column show the connection dimensions of PN1.0/PN1.6MPa pressure grade. For the connection dimensions of pipe flanges mounted to the valves, please refer to the Connection Dimensions of Flanges Table. The upper flanges of the valves are suitable all types of valves fitted with electric, wormgear, manual, pneumatic amd actuators.

The dimensions D1 and n-φ of DN50 (2") ~500 (20") listed in above table show the installation dimensions of butterfly valve. Of them the dimensions D1 and n-φ of DN50 (2") ~350 (14") contain the standard of GB9112-88, DIN2501 (Germany), BS4504(UK) ISO2084, ISO2531 (Internationa l standard) BS 10-E (UK) ANS1125 (USA) for flange connection and DN400 (16") ~500 (20") contain the standard of GB9112-88, DIN2501, ISO2084 and Bs4504.





LTD71X



DN50 (2") ~600 (24")

### "LT"型蝶阀主要尺寸表和重量 Main dimensions and weight of type "LT" butterfly valve

DN		A	B	C	D	L	H	D1	n-φ	K	E	n1-φ1	φ2	G	重量 Weight (kg)
mm	inch														
50	2"	161	80	42	52.9	32	88.38	125	4-M16	77	57.15	4-6.7	12.6	118	3.8
65	2 1/2"	175	89	44.7	64.5	32	102.54	145	4-M16	77	57.15	4-6.7	12.6	137	4.2
80	3"	181	95	45.2	78.8	32	61.23	160	8-M16	77	57.15	4-6.7	12.6	178	4.7
100	4"	200	114	52.1	104	32	68.88	180	8-M16	92	69.85	4-10.3	15.77	206	9.0
125	5"	213	127	54.4	123.3	32	80.36	210	8-M16	92	69.85	4-10.3	18.92	238	10.9
150	6"	226	139	55.8	155.6	32	91.84	240	8-M20	92	69.85	4-10.3	18.92	266	14.2
200	8"	260	175	60.6	202.5	45	112.89 76.35	295	8-M20 12-M24	115	88.9	4-14.3	22.1	329	18.2
250	10"	292	203	65.6	250.5	45	90.59 91.88	350 355	12-M20 12-M24	115	88.9	4-14.3	28.45	393	26.8
300	12"	337	242	76.9	301.6	45	103.52 106.12	400 410	12-M20 12-M24	140	107.95	4-14.3	31.6	462	40
350	14"	368	267	76.5	333.3	45	89.74 91.69	460 470	16-M20 16-M24	140	107.95	4-14.3	31.6	515	56
400	16"	400	309	86.5	389.6	51.2 72	100.48 102.42	515 525	16-M24 16-M27	197	158.75	4-20.6	33.15	579	96
450	18"	422	328	105.6	440.51	51.2 72	88.38 91.51	565 585	20-M24 20-M27	197	158.75	4-20.6	38	627	122
500	20"	480	361	131.8	491.6	64.2 82	96.99 101.68	620 650	20-M24 20-M30	197	156.25	4-20.6	41.15	696	202
600	24"	562	459	152	592.5	70.2 82	113.42 120.46	725 770	20-M27 20-M33	276	215.9	4-22.2	50.65	821	270

**注Note:**

DN50 (2") ~600 (24") "LT" 型蝶阀分别适用于 PN1.0/PN1.6MPa 二种压力级, 表中每格有两个尺寸的分别表示 PN1.0/PN1.6MPa 二种压力级连接尺寸。与阀门连接的管法兰连接尺寸参照法兰连接尺寸表。蝶阀上法兰可通用于手动、蜗轮蜗杆传动、电动、气动等传动装置。

"LT" 型蝶阀的结构、性能、零件的材质与 "A" 型均相同, 区别在于 "A" 型可通过双头螺栓 (或加长六角螺栓) 对夹连接在两管法兰之间 (即对夹式) 。"LT" 型除通过两普通六角螺栓连接在两管路之间外, 还可以安装在管端 (即单夹式) 作为排空阀使用, 但需在订货合同中注明管端使用。

DN50(2")~600(24")Type"LT" butterfly valve are suitable for the pressure grades of PN1.0MPa and PN1.6MPa separately. Two dimensions in one column how two connection dimensions of PN1.0/PN1.6MPa pressure grade. For the connection dimensions of pipe flanges mounted to the valve. Please refer to the Connection Dimensions of flanges Table. The upper flanges of the butterfly valves accommodates all types of operators: manual, wormgear, electric and pneumatic actuators.

Difference between Type "A" and "LT": Both Type "A" and "LT" have the same construction and performances and are made of the same materials. The main difference between them is that type "A" valves are mounted between pipe flanges (wafer type) by bolts (or extended hexagon-head bolts), while type "LT" can be either mounted between two pipes by ordinary hexagon head bolts or mounted on the pipe end (lugged-type). As the valve is used at the end of pipe line. it is necessary to indicate in order.

- 以上两种形式由用户在订货合同中注明。

Above two kinds of versions are given clear indication of by user in the order contract.

- 法兰连接尺寸符合 G4216, DIN2501, BS4504, BS10-E, JISB2220, AS2129, ANSI B16.1 等标准, 须用户在合同中注明。

The flange links the size and fits the standards such as GB4216, DIN2501, BS4504, BS10-E, JISB2220, AS2129, ANSI B16.1 etc, and must give clear indication of in the contract user.

# 无销对夹式蝶阀 Without pin wafer butterfly valve

## 简介 Brief

无销蝶阀是我公司在对夹式蝶阀的基础上, 引进国外先进的设计制造技术, 开发的新产品。该产品具备了对夹式蝶阀的一切优点, 而且还具有抗腐蚀性强, 无销孔的优点。该产品主要适用于石油, 化工, 食品, 医药, 造纸, 船舶, 城市给排水, 冶炼, 能源等系统中作为调节和截流装置使用, 它可以在管线中任意位置安装。

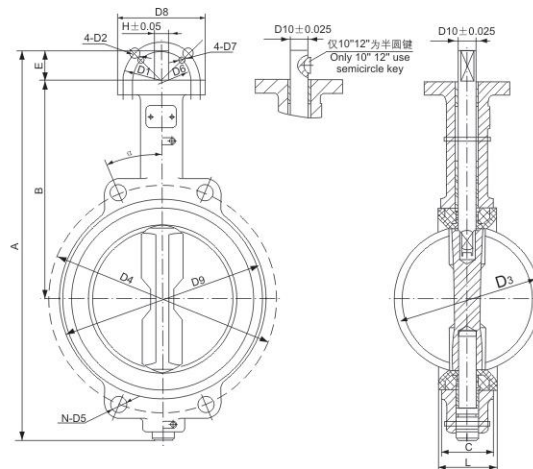
Without pin butterfly valve is developed based on the wafer butterfly valve and advanced technology introduced from foreign country. In addition to the feature of the wafer butterfly valve. It has strong corrosion resistance and no-pin. This product is suitable for throttling-off and adjusting flow, and can be installed in pipelines in the industries of petroleum processing, chemicals, food medicine, textile, paper making, hydroelectricity engineering, ship building, water supply and sewage, metallurgy, energy engineering as well as light industry, etc.

## 性能规范 Technical data

公称通径(DN) Nominal diameter		50(2")~300(12")	
公称压力(PN) Nominal pressure		1.0	1.6
试验压力 Testing pressure	壳体 Shell	1.1	1.76
	密封 Sealing	1.5	2.4
适用温度℃ Working temperature		-15~+150	
适用介质 Suitable mediums		淡水、污水、海水、空气、蒸气、食品、药品、各种油类、酸类、碱类、盐类等 Fresh water, sewage, sea water, air, steam, food, medicine, oils, acids, etc.	



WD71X



## 主要尺寸表 Main dimensions

DN		A	B	C	E	L	H	α	D1	D2	D3	D4	N-D5	D6	D7	D8	D9	D10
mm	inch																	
50	2"	280	161	42	32	45	9.52	45°	83	11	52.6	120	4-23	70	10	102	100	12.6
65	2.5"	303	175	44.7	32	47.6	9.52	45°	83	11	64.3	136.13	4-26.6	70	10	102	120	12.6
80	3"	315	181	45.2	32	49	9.52	45° 22.5°	83	11	78.8	152.4 160.0	4-24 4-18	70	10	102	127	12.6
100	4"	353	200	52.1	32	54.7	11.11	45° 22.5°	83	11	104	177.8 185.16	4-17.5 4-25.8	70	10	102	156	15.77
125	5"	379	213	54.4	32	58	12.7	22.5°	83	11	123.3	215.01	4-23	70	10	102	190	18.92
150	6"	404	226	55.8	32	58.6	12.7	22.5°	83	11	155.7	238.12	4-25	70	10	102	212	18.92
200	8"	487	260	60.6	45	63.4	15.87	15° 22.5°	127	14	202.4	296.07	4-23 4-26	102	12	152	268	22.1
250	10"	547	292	65.6	51	70	-	22.5° 15°	127	14	250.4	357	4-22 4-29	102	12	152	325	28.45
300	12"	631	337	76.9	51	70	-	15°	127	14	301.5	406.4 431.8	4-30.2 4-25.4	102	12	152	403	28.45

注Note:

"A"型侧法兰连接标准符合GB4216.4~GB4216.5-84, ANSI B16.1 125PSI, BS10D, BS10E, DIN2501 PN10, PN16, AS2129表E标准。

Type "A" side-flange connection is in compliance with the standard standard given in the GB4216.4~GB4216.5-84, ANSI B16.1 125PSI, BS10D, BS10E, DIN2501 PN10, PN16, table E of As2129.



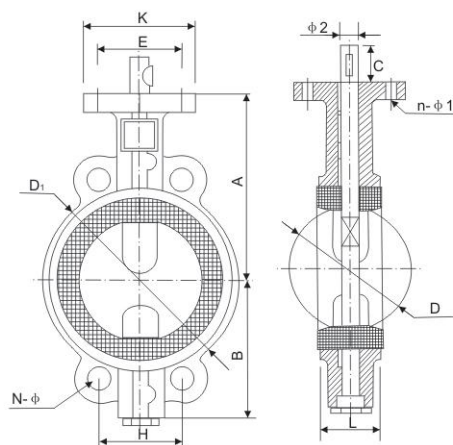
### 特点 Features

- 1、小型轻便，容易拆装及维修，并可在任意位置安装。
- 2、结构简单，紧凑，90°回转启闭迅速。
- 3、操作扭矩小，省力轻巧。
- 4、流量特性趋于直线，调节性能好。
- 5、启闭试验次数多达数万次，寿命长。
- 6、达到完全密封，气体试验泄漏为零。
- 7、选择不同零部件材质，可适用多种介质。
- 8、转轴与阀板采用无销连接，性能更加可靠。
- 9、阀板衬胶、金属不接触介质，防腐性好。
- 10、适用介质：淡水、海水、各种气体、油品、耐酸、碱、盐等有机化学物。

1. Small in size and light in weight. Easy installation and maintenance. It can be mounted wherever needed.
2. Simple and compact construction, quick 90° degrees on-off operation.
3. Minimized operating torque, energy saving.
4. Flow curve tending to straight line. Excellent regulation performance.
5. Long service life. Standing the test of tens of thousands opening, closing operations.
6. Bubbles-tight sealing with no leakage under the pressure test.
7. Wide selection of materials, applicable for various medium.
8. Axle and valve's broad is linked by no line gum, function is more reliable.
9. Valve's broad line gum, steel aren't contact with medium, against corrosiveness is good.
10. Suitable mediums: water, sea water, different kinds of gasses, oil product, acidproof, alkali, salt grade organic chemistry thing.



WD71J



### 主要尺寸表和重量 Main dimensions and weight

DN		A	B	L	D	C	H	D1	N-φ	K	E	n-φ1	φ2	重量 Weight (kg)
mm	inch													
40	1.5"	161	80	42	52.7	28	77.78	110	4-φ18	77	57	4-φ7	12.7	3.8
50	2"	161	80	42	52.7	28	88.38	125	4-φ18	77	57	4-φ7	12.7	3.8
65	2.5"	175	89	44.7	64.4	28	120.13 113.13	145	4-φ18	77	57	4-φ7	12.7	4.2
80	3"	181	95	45.2	78.8	28	61.23	160	4-φ18	77	57	4-φ7	12.7	4.7
100	4"	200	114	52.1	104.2	28	68.88	180	8-φ18	92	69	4-φ10.5	15.8	9.0
125	5"	213	127	54.4	123.3	29	80.36	210	8-φ18	92	69	4-φ10.5	19.05	10.9
150	6"	226	139	55.8	157	29	91.84 112.89	240	8-φ18	92	69	4-φ10.5	19.05	14.2
200	8"	260	175	60.6	202.5	32	76.35	295	8-φ22 8-φ23	114	89	4-φ14.3	22.22	18.2
250	10"	292	203	65.6	250.5	40	90.59 91.88	350 355	12-φ23	115	89	4-φ14.3	28.6	26.8
300	12"	337	242	76.9	301.6	40	103.52 106.12	400 410	12-φ23 12-φ26	140	108	4-φ14.3	31.8	40
350	14"	368	267	76.5	333.3	40	89.74 91.69	460 470	16-φ23 16-φ26	140	108	4-φ14.3	31.8	56
400	16"	400	309	86.5	389.6	51.2 72	100.48 102.42	515 525	16-φ23 16-φ26	197	159	4-φ20.5	33.3	96
450	18"	422	328	105.6	440.51	51.2 72	88.38 91.51	565 585	16-φ26 16-φ30	197	159	4-φ20.5	38	122
500	20"	480	361	131.8	491.6	64.2 82	96.99 101.68	620 650	20-φ26 20-φ33	197	159	4-φ20.5	41.5	202
600	24"	562	459	152	592.5	70.2 82	113.42 120.46	725 770	20-φ30 20-φ36	276	215.9	4-φ22.2	50.65	270

注 Notes:

DN40~DN600mm全衬胶无销对夹蝶阀，分别适用于PN1.0~1.6MPa二种压力等级。可根据用户需求选用手动、蜗轮传动、电动、气动等连接尺寸。

DN40~DN600mm not line gum wafer butterfly valve, separately adopt to PN1.0~1.6MPa two pressure grade. Can be chosed handwork worm gear transmission, motor-driven, pneumatic line measurement and so on.

# 无销四氟尼龙板对夹式蝶阀 Without pin four fluorine nylon plate wafer butterfly valve

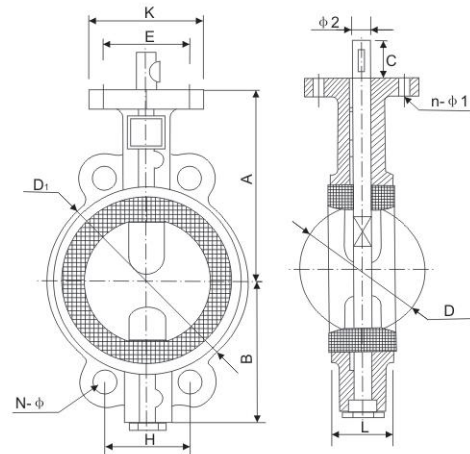
## 特点 Features

- 1、小型轻便，容易拆装及维修，并可在任意位置安装。
- 2、结构简单，紧凑，90°回转启闭迅速。
- 3、操作扭矩小，省力轻巧。
- 4、优异的减磨、自润滑性、操作力矩比普通蝶阀降低40%以上。
- 5、耐磨好(尼龙耐磨是铜的7倍)，可延长使用寿命。
- 6、无毒、无味、抗菌符合绿色环保要求。
- 7、耐盐、碱、弱酸侵蚀，适应性广。
- 8、无销连接技术，保证介质与金属完全隔离可靠性高。
- 9、产品价格远低于不锈钢阀门，明显降低工程造价。
- 10、适用介质：淡水、海水、各种气体、油品、碱、盐、有机化合物及弱酸等。



WD71F

- 1.Small in size and light in weight. Easy instillation and mintenance. It can be mounted wherever nedded.
- 2.Siple and compact construction, quick 90 degrees on-off operation.
3. Minimized operating torque, energy saving.
4. The excellent antifriction, lubricate oneself, doing moment of force is the ordinary butterfly valve lower 40%.
5. Wear-resisting is good, (nylon wear-resisting is 7 times of copper) can lengthen one's life.
6. Innocuity, no flavour, against fungus according with the require of green environmental.
7. Salt-resisting, soda-resisting, weakacid-resisting, it's adaptability is wide.
8. The technology of no line gum linking ensure the reliable what medium keep apart metal.
9. The product's price is most poor than stainless steel, clear reduce the cost of engineering.
10. Be suitable of medium: fresh water, sea water, all kinds of gas, oil, soda,salt, organism and weak acid.



## 主要尺寸表和重量 Main dimensions and weight

DN		A	B	L	D	C	H	D1	N-φ	K	E	n-φ1	φ2	重量 Weight (kg)
mm	inch													
40	1.5"	161	80	42	52.7	28	77.8	110	4-φ18	77	57	4-φ7	12.7	3.8
50	2"	161	80	42	52.7	28	88.38	125	4-φ18	77	57	4-φ7	12.7	3.8
65	2.5"	175	89	44.7	64.4	28	120.54 113.13	145	4-φ18	77	57	4-φ7	12.7	4.2
80	3"	181	95	45.2	78.8	28	61.23	160	4-φ18	77	57	4-φ7	12.7	4.7
100	4"	200	114	52.1	104.2	28	68.88	180	8-φ18	92	69	4-φ10.5	15.8	9.0
125	5"	213	127	54.4	123.3	29	80.36	210	8-φ18	92	69	4-φ10.5	19.05	10.9
150	6"	226	139	55.8	157	29	91.84 112.89	240	8-φ18	92	69.85	4-φ10.5	19.05	14.2
200	8"	260	175	60.6	202.5	32	76.35	295	8-φ22 8-φ23	114	89	4-φ14.3	22.22	18.2
250	10"	292	203	65.6	250.5	40	90.59 91.88	350 355	12-φ23	115	89	4-φ14.3	28.6	26.8
300	12"	337	242	76.9	301.6	40	103.52 106.12	400 410	12-φ23 12-φ26	140	108	4-φ14.3	31.8	40
350	14"	368	267	76.5	333.3	40	89.74 91.69	460 470	16-φ23 16-φ26	140	108	4-φ14.3	31.8	56
400	16"	400	309	86.5	389.6	51.2 72	100.48 102.42	515 525	16-φ23 16-φ26	197	159	4-φ20.5	33.3	96
450	18"	422	328	105.6	440.51	51.2 72	88.38 91.51	565 585	16-φ26 16-φ30	197	159	4-φ20.5	38	122
500	20"	480	361	131.8	491.6	64.2 82	96.99 101.68	620 650	20-φ26 20-φ33	197	159	4-φ20.5	41.5	202
600	24"	562	459	152	592.5	70.2 82	113.42 120.46	725 770	20-φ30 20-φ36	276	216	4-φ22.2	50.65	270

注 Notes:

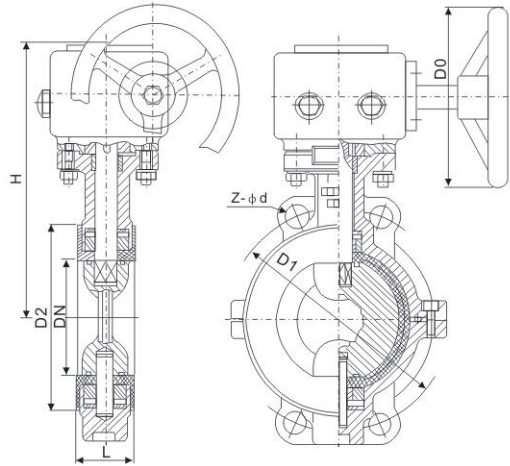
DN40~DN600mm 全衬四氟尼龙覆层无销蝶阀，分别适用于PN1.0~1.6MPa二种压力等级。可根据用户需求选用手动、蜗轮传动、电动、气动等连接尺寸。

DN40~DN600mm PTFE lining nylon overlying strata not line gum butterfly valve, separately adopt to PN1.0~1.6MPa two pressure grade. Can be chosed handwork worm gear transmission, motor-driven, pneumatic line measurement and so on.





D371F



### 简介 Brief

D371F全衬氟对夹式蝶阀，采用对分两片式阀体组合，阀座与阀体内衬一体化，阀门工作时只有全塑阀座与衬塑蝶板与介质接触，产品可承受“除熔融碱金属和元素氟”外的任何介质腐蚀，其D371F阀杆与蝶板(锻)为一体，表面均匀包覆一层FEP。阀体通道内表面光滑，流体阻力小CV值高，流通能力强，扭矩适中，采用四级密封结构并在密封面外配以耐温抗老化的SI橡胶的弹性衬垫 阀座完全达到介质的零泄漏。

D371F fluorine butterfly clip on, using two chip on the valve combination, the valve seat and valve liner valve work integration, only full plastic seat and lining plastic disc contact with the media, the product can withstand any corrosion in molten alkali metal and fluorine elements ", the stem and disc forging (D371F) as a whole, the surface is uniformly coated with a layer of FEP. The channel of the valve body inner surface smooth, fluid resistance of high CV value, strong circulation, moderate torque, the zero leakage of four seal structure and elastic rubber gasket seat with SI in high temperature aging on the outside sealing surface can reach the medium.

### 主要尺寸表和重量 Main dimensions and weight

PN (MPa)	DN (mm)	NPS (inch)	L	D	D1	D2	f	b	Z-φ d	D0	H	重量(kg) Weight
1.6	40	1 1/2"	42	145	110	85	3	18	4-φ 18	200	145	4
	50	2"	42	160	125	100	3	20	4-φ 18	200	150	5
	65	2 1/2"	44.7	180	145	120	3	20	4-φ 18	250	160	7
	80	3"	45.2	195	160	135	3	22	8-φ 18	250	170	10
	100	4"	52.1	215	180	155	3	24	8-φ 18	300	185	14
	125	5"	54.4	245	210	185	3	26	8-φ 18	300	210	22
	150	6"	55.8	280	240	210	3	28	8-φ 23	200*	230	32
	200	8"	60.6	335	295	265	3	30	12-φ 23	240*	285	66
	250	10"	65.6	405	355	320	3	32	12-φ 25	240*	325	80
	300	12"	76.9	460	410	375	4	34	12-φ 25	280*	360	94
	350	14"	76.5	520	470	435	4	38	16-φ 25	280*	430	125
	400	16"	86.5	580	525	485	4	40	16-φ 30	320*	475	150
	450	18"	105.6	640	585	545	4	44	20-φ 30	320*	525	172
	500	20"	131.8	705	650	608	4	46	20-φ 34	320*	565	225
	600	24"	152	840	770	718	5	54	20-φ 41	360*	620	290
	700	28"	163	910	840	788	5	54	24-φ 41	360*	686	330
	800	32"	188	1020	950	898	5	54	24-φ 41	380*	815	425
900	36"	203	1120	1050	998	5	54	28-φ 41	400*	1010	495	
1000	40"	216	1255	1170	1110	5	60	28-φ 48	400*	1185	710	

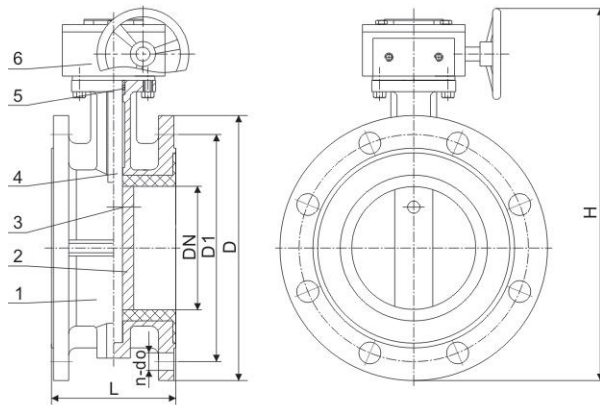
注：法兰尺寸D,D1,D2,Z-φ d,f,b数值是与蝶阀连接的标准法兰尺寸，简图中尺寸代号仅是其中一部分。

Note: Flange size D, D1, D2, Z-φ d, f, b values are connected with the standard flange size butterfly, sketch in code size is only part of it.

# 法兰蝶阀 Flange butterfly valve



D341X



## 简介 Brief

法兰蝶阀主要适用于水厂、电厂、钢厂冶炼、造纸、化工、饮食等系统给排水用，尤为适用自来水管路上作为调节流量设备使用。

Flange butterfly valve is mainly used in water plant, power plant, steel smelting, paper, chemical, food and other systems for water supply and drainage, especially suitable for the use of tap water pipeline as a regulator.

## 性能规范 Technical data

公称压力(MPa) Nominal pressure	PN10	PN16	设计标准 Design standard	GB/T 12238-2008
强度实验压力(MPa) Strength test pressure	1.5	2.4	结构长度 Structure length	GB/T 12221-2005
密封实验压力(MPa) Seal test pressure	1.1	1.76	法兰标准 Flange standard	GB/T 17241.6-1998
适用介质 Applicable medium	水、油、气及非腐蚀性介质 Water, oil, gas, non corrosive media		试验标准 Test standard	GB/T 13927-2008
适用温度 Applicable temperature	-10~80℃			

## 主要零部件材料 Material of main parts

编号 No.	零件名称 Part name	材料 Material	编号 No.	零件名称 Part name	材料 Material
1	阀体 Valve body	灰铸铁、球墨铸铁 Gray cast iron, nodular graphite cast iron	4	阀杆 Valve stem	马氏体不锈钢、碳钢 Martensitic stainless steel, carbon steel
2	蝶板 Butterfly board	球墨铸铁 Nodular graphite cast iron	5	胶圈 Rubber ring	橡胶、尼龙、聚四氟乙烯 Rubber, nylon, PTFE
3	圆锥销 Conical pin	不锈钢 Stainless steel	6	驱动装置 Drive device	组合件 Groupware

## 主要尺寸表 Main dimensions

DN(mm)	NPS	L	D		D1		n-do		H
			PN10	PN16	PN10	PN16	PN10	PN16	
50	2	108	165	165	125	125	4-φ18	4-φ18	306
65	2½	112	185	185	145	145	8-φ18	8-φ18	321
80	3	114	200	200	160	160	8-φ18	8-φ18	346
100	4	127	220	220	180	180	8-φ18	8-φ18	387
125	5	140	250	250	210	210	8-φ18	8-φ18	411
150	6	140	285	285	240	240	8-φ22	8-φ22	447
200	8	152	340	340	295	295	8-φ22	12-φ22	572
250	10	165	395	405	350	355	12-φ22	12-φ26	646
300	12	178	445	460	400	410	12-φ22	12-φ26	738
350	14	190	505	520	460	470	16-φ22	16-φ26	761
400	16	216	565	580	515	525	16-φ26	16-φ30	877
450	18	222	615	640	565	585	20-φ26	20-φ30	938
500	20	229	670	715	620	650	20-φ26	20-φ33	993
600	24	267	780	840	725	770	20-φ30	20-φ36	1131
700	28	292	895	910	840	840	24-φ30	24-φ36	1476
800	32	318	1015	1025	950	950	24-φ33	24-φ39	1533
900	36	330	1115	1125	1050	1050	28-φ33	28-φ39	1655
1000	40	410	1230	1255	1160	1170	28-φ36	28-φ42	1765
1200	48	470	1455	1485	1380	1390	32-φ39	32-φ48	1995
1400	56	530	1675	1685	1590	1590	36-φ42	36-φ48	2310
1600	64	600	1915	1930	1820	1820	40-φ48	40-φ56	2595
1800	72	670	2115	2130	2020	2020	44-φ48	44-φ56	2810
2000	80	760	2325	2345	2230	2230	48-φ48	48-φ62	3100



### 简介 Brief

本蝶阀适用于温度  $\leq 80^{\circ}\text{C}$ ，用于石油、化工、食品、医药、轻纺、造纸、电力、给排水、气体管路上，作调节流量和截流介质的作用。具有补偿管道热胀冷缩的功能。

This butterfly valve is suitable to temperature  $\leq 80^{\circ}\text{C}$ , is used on petroleum, chemical industry foodstuff medicine gently the spinning and papermaking, power, plumbing and gas pipe route, and does the effect adjusted the volume of flow and dams a river the medium. Possess the bloated cold function that contracts of compensation pipeline heat.

### 特点 Features

- 1、设计新颖、合理、结构独特、重量轻、操作方便、启闭迅速。
  - 2、本伸缩蝶阀既能起到调节流量和截流作用，又能补偿管道温差所产生的热胀冷缩功能，同时也便于安装和拆卸，为一阀多用产品。
1. The design is new and original and reasonable and the structure is unique and is light in weight and operates makes things convenient for and it is rapid case to close.
  2. This stretch butterfly valve can act to adjust the volume of flow with damming a river the effect, to compensate that the pipeline difference in temperature is given rise to again hot expands to cool contracts the function, and but also being easy to at the same time install and dismanteles, uses the product for one valve more.

### 安装注意事项 Installment matters needing attention

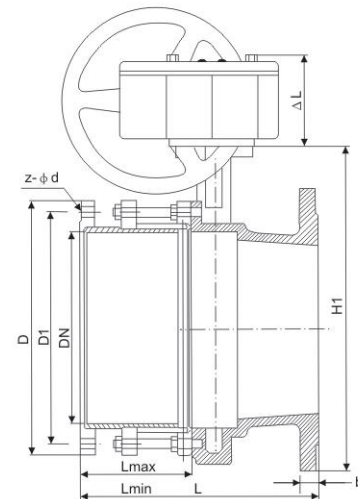
- 1、本蝶阀安装前必须清洗内腔杂物。
  - 2、本阀可在一定范围内伸缩，因此安装前必须松开伸缩部位的密封垫压盖，然后将伸缩节调节到所需位置锁紧管道螺栓后，再锁紧伸缩密封压盖，本阀不能超范围使用。
1. This butterfly valve must rinse the cavity odds an d ends before the installation.
  2. These valve approve in the field flex, hence fasten must loosen pars contractilis steric seal gland, then should telescopic joint regulate to required position keeper conduit bolt post, anew keeper flex gland, these valve be incapable of exceed scope use up on.

### 主要零部件材料 Material of main parts

序号	零件名称 Part name	材料名称 Material name
1	阀体 Valve body	铸铁、球墨铸铁、铸钢、不锈钢 Cast Iron, Nodular cast Iron, cast steel and stainless steel
2	阀板 Valve board	球墨铸铁、铜合金、不锈钢 Nodular cast Iron, Copper allol and stainless steel
3	阀杆 Valve pole	2Cr13、45号钢 The 2Cr13 and No.45 steel
4	密封圈 Sealing-circle	耐磨橡胶、丁晴橡胶等 The fine rubber of wear-resisting rubber and NBR etc.
5	填料 Filler	丁晴橡胶O型垫等 The O mould pad of NBR

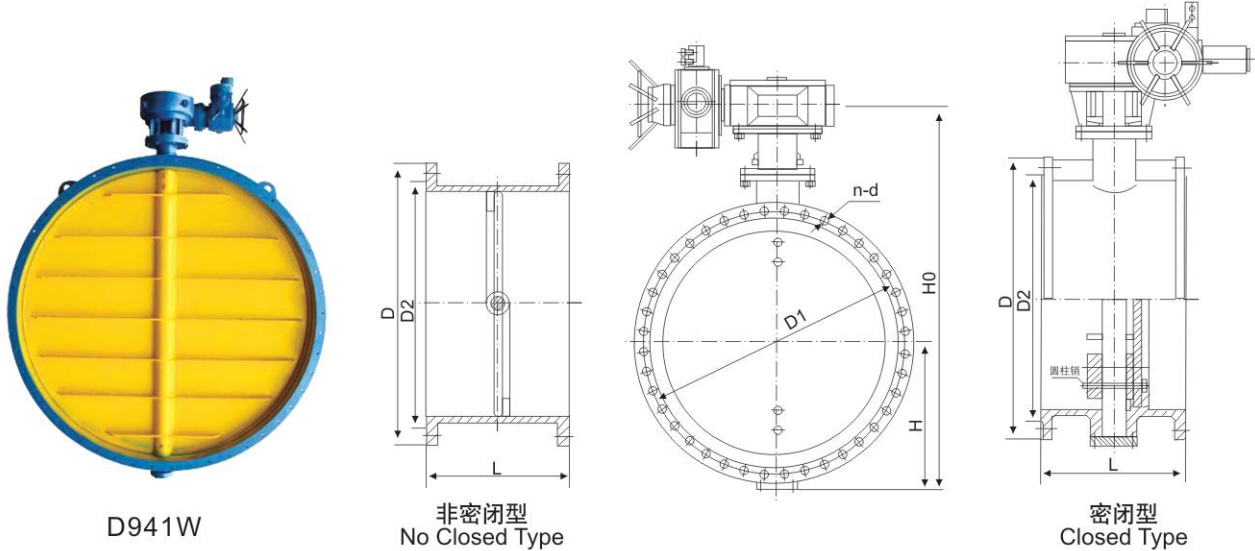


SD341X



### 主要尺寸表 Main dimensions

DN (mm)	最短 Lmin Shortest	安装标准 L Install standard	最长 Lmax Longest	伸缩量 ΔL Stretching capacity	H1	H2	D1	D	z-φd	b
50	180	200	220	40   60	241	70	125	165	4-φ18	21
65	190	210	230		264	70	145	180	4-φ18	23
80	210	230	250		276	70	160	210	8-φ18	23
100	237	257	277		314	70	180	238	8-φ18	27
125	255	275	295		340	70	210	250	8-φ18	27
150	280	300	320		365	70	240	290	8-φ22	28
200	338	358	378		435	80	295	345	8-φ22	29
250	350	380	410		495	80	350	405	12-φ22	30
300	390	420	450		580	85	400	460	12-φ22	30
350	420	450	480		635	85	460	505	16-φ22	32
400	450	480	510		709	185	515	565	16-φ26	32
450	480	510	540		750	185	565	625	20-φ26	32
500	510	540	570		841	190	620	670	20-φ26	34
600	570	600	630		1021	190	725	780	20-φ30	36
700	630	660	690		1144	240	840	895	24-φ30	40
800	690	720	750		1263	240	950	1015	24-φ33	44



D941W

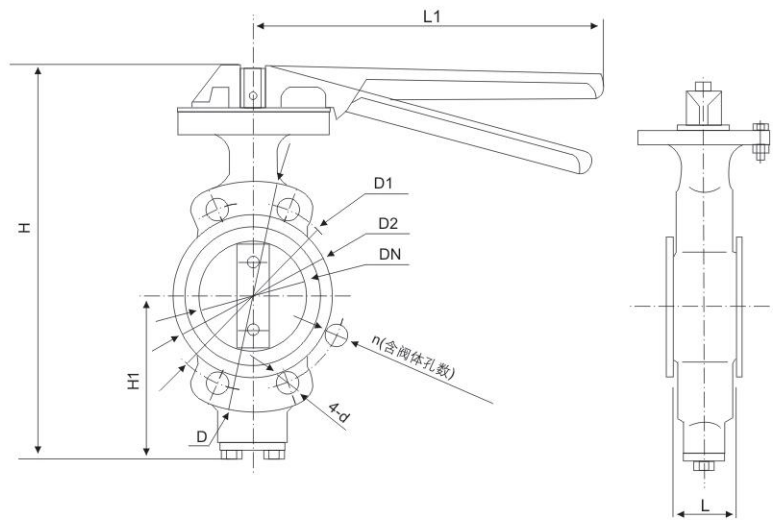
非密闭型  
No Closed Type

密闭型  
Closed Type

主要尺寸表 Main dimensions

DN (mm)	L	H	H0	0.05-0.1MPa				0.25MPa				0.6MPa			
				D	D1	D2	n-d	D	D1	D2	n-d	D	D1	D2	n-d
100	127	105	486	210	190	144	4-18	210	190	144	4-18	210	190	144	4-19
125	140	120	516	240	200	174	8-18	240	200	174	8-18	240	200	174	8-19
150	140	132	541	265	225	199	8-18	265	225	199	8-18	265	225	199	8-19
200	152	160	779	320	280	254	8-18	320	280	254	8-18	320	280	254	8-19
250	165	187	836	375	335	309	12-18	375	335	309	12-18	375	335	309	12-19
300	180	220	901	440	395	363	12-22	440	395	363	12-22	440	395	363	12-23
350	180	245	954	490	445	413	12-22	490	445	413	12-22	490	445	413	12-23
400	200	270	1003	540	495	463	16-22	540	495	463	16-22	540	495	463	16-23
450	200	297	1058	595	550	518	16-22	595	550	518	16-22	595	550	518	16-23
500	220	322	1111	645	600	568	20-22	645	600	568	20-22	645	600	568	20-23
600	220	377	1233	755	705	667	20-26	755	705	667	20-26	755	705	667	20-26
700	240	430	1338	860	810	772	24-26	860	810	772	24-26	860	810	772	24-26
800	240	487	1452	975	920	878	24-30	975	920	878	24-30	975	920	878	24-31
900	260	537	1588	1075	1020	978	24-30	1075	1020	978	24-30	1075	1020	978	24-31
1000	260	587	1689	1175	1120	1078	28-30	1175	1120	1078	28-30	1175	1120	1078	28-31
1200	280	702	1938	1375	1320	1280	32-30	1375	1320	1280	32-30	1405	1340	1295	32-34
1400	300	782	2670	1575	1520	1480	36-30	1575	1520	1480	36-30	1630	1560	1510	36-37
1600	320	895	2810	1790	1730	1690	40-30	1790	1730	1690	40-30	1830	1760	1710	40-37
1800	340	995	3020	1990	1930	1890	44-30	1990	1930	1890	44-30	2045	1970	1918	44-40
2000	360	1095	3220	2190	2130	2090	48-30	2190	2130	2090	48-30	2265	2180	2125	48-43
2200	380	1200	3430	2405	2340	2295	52-33	2405	2340	2295	52-33	2475	2390	2335	52-43
2400	400	1310	3650	2605	2540	2495	56-33	2605	2540	2495	56-33	2685	2600	2545	56-43
2600	420	1420	3920	2805	2740	2695	60-33	2805	2740	2695	60-33	2905	2810	2750	60-49
2800	440	1530	4140	3030	2960	2910	64-36	3030	2960	2910	64-36	3115	3020	2960	64-49
3000	460	1640	4360	3230	3160	3110	68-36	3230	3160	3110	68-36	3315	3220	3160	68-49
3200	480	1760	4620	3430	3360	3310	72-36	3430	3360	3310	72-36	3525	3430	3360	72-49
3400	500	1870	4840	3630	3560	3510	76-36	3630	3560	3510	76-36	3735	3640	3560	76-49
3600	520	1980	5060	3840	3770	3720	80-36	3840	3770	3720	80-36	3970	3860	3720	80-56
3800	540	2120	5400	4045	3970	3920	80-39	4045	3970	3920	80-39	4180	4070	3970	80-62
4000	560	2230	5620	4245	4170	4120	84-39	4245	4170	4120	84-39	4380	4270	4170	84-62





主要尺寸表 Main dimensions

DN (mm)	ISO JIS GB			ISO(GB2501-89)				JIS				GB(GB569-65)				ISO		JIS		GB	
	H	H1	L1	L	D	D1	D2	L	D	D1	D2	L	D	D1	D2	n	d	n	d	n	d
50	215	80	235	43	165	125	102	40	155	120	88	43	135	103	84	4	18	4	19	6	16
65	235	85	235	46	185	145	122	40	175	140	112	46	155	123	104	4	18	4	19	6	16
80	285	120	235	46	200	160	133	60	185	150	125	46	170	138	118	8	18	8	19	6	16
100	315	130	250	52	220	180	158	60	210	175	144	52	190	158	138	8	M16	8	M16	8	M14
125	355	150	300	56	250	210	184	60	250	210	178	56	215	183	164	8	M16	8	M20	10	M14
150	395	165	350	56	285	240	212	70	280	240	207	56	240	208	190	8	M20	8	M20	12	M14